



A MASCO Company  
 Phone: (800) 421-0001  
 Fax: (517) 439-9644  
 Internet: [www.alsons.com](http://www.alsons.com)

## 5-Spray European Style Hand Shower Arm Mount System

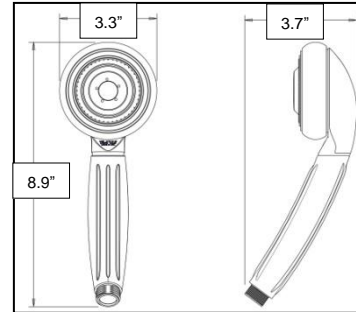
45 Series



### European Style 5-Spray Hand Shower

425 Series

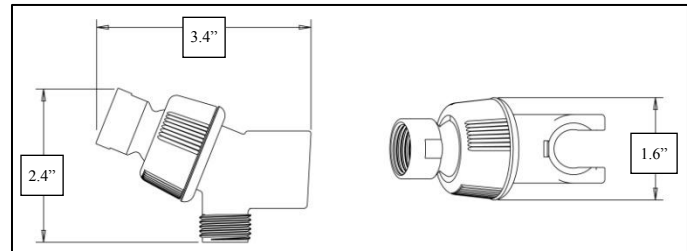
- Five spray selections
- 1/2" - 14 NPSM connection point
- Overall length: 8.9 in. (225 mm)
- Overall width: 3.3 in. (83 mm)
- Overall depth: 3.7 in. (95 mm)



### Shower Arm Mount

3401 Series

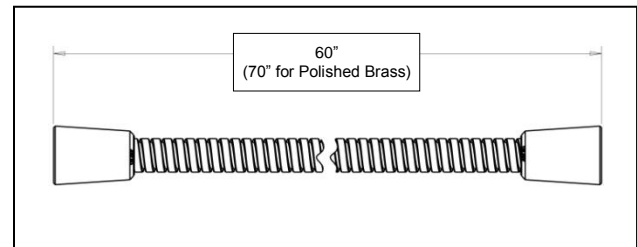
- 1/2"-14 NPSM brass connection point
- Overall length: 3.4 in. (86 mm)
- Overall width: 1.6 in. (41 mm)
- Overall height: 2.4 in. (61 mm)



### UltraFlex® Hose

#### 490 Series (494 Series for 45 PK)

- Vinyl hose with matching ribbon; two conical nuts
- 1/2"-14 NPSM connection points
- Overall length: 60 in. (1752 mm) – 70 in. (1778 mm) for Polished Brass



Finishes Available	Model Number
Brilliance® Polished Brass	45 2010 PK
Oil-Rubbed Bronze	45 3710 PK
Brilliance® Satin Nickel	45 3110 PK
Chrome	45 C PK
White	45 PK

#### Limited Lifetime Warranty

Alsons Corporation warrants to the owner of this product that the product is free from defects in material or workmanship. We will repair or replace, at our discretion, at no charge. This warranty gives you specific legal rights. You may also have other rights that vary where you reside. If this product malfunctions or becomes damaged, stop use and return it to Alsons for examination and/or repair.

Alsons reserves the right (1) to make changes in specifications and materials, and (2) to change or discontinue models, both without notice or obligation. Dimensions are for reference only.

For assistance or problems with installation in the USA, call toll-free 1-800-421-0001, 8:00 a.m.-6:00 p.m. Eastern Standard Time, Monday-Friday. Outside the USA, write to: Alsons Corporation, 3010 West Mechanic Street, Hillsdale, MI 49242

Rev. 01 01/10