



A MASCO Company  
 Phone: (800) 421-0001  
 Fax: (517) 439-9644  
 Internet: [www.alsons.com](http://www.alsons.com)

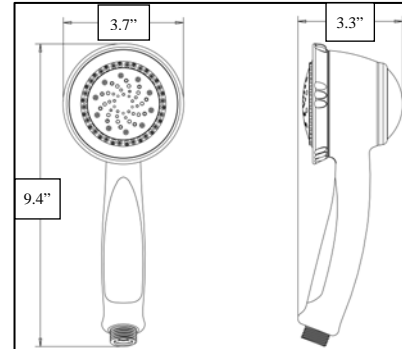
## 5-Spray Traditional Hand Shower Wall Mount System

45 T Series



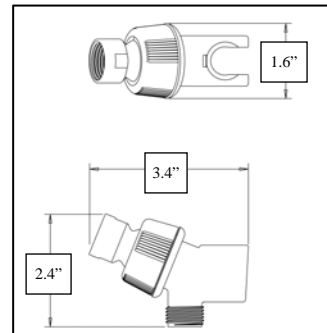
### 5-Spray Traditional Hand Shower 478 Series

- Five spray selections
- 1/2" - 14 NPSM connection point
- Overall length: 9.4 in. (239 mm)
- Overall width: 3.7 in. (95 mm)
- Overall depth: 3.3 in. (83 mm)



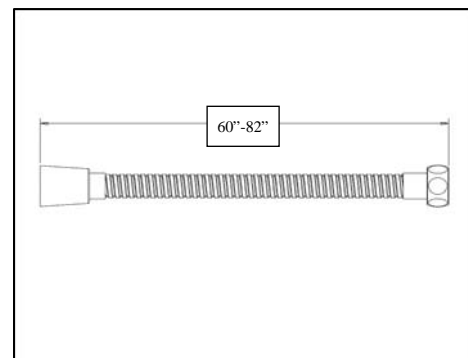
### Shower Arm Mount 3401 Series

- 1/2"-14 NPSM brass connection point
- Overall length: 3.4 in. (86 mm)
- Overall width: 1.6 in. (41 mm)
- Overall height: 2.4 in. (61 mm)



### Heavy-Duty Extendible Stainless Steel Hose 495DS

- Stainless steel material spiraled over a rubber inner liner
- 1/2"-14 NPSM connection points
- Overall length - 60" (1524 mm)
- Extended length - 82" (2083 mm)



Finishes Available	Model Number
Brilliance <sup>®</sup> Polished Brass	45 T 2010 BX
Satin Nickel (View Pack)	45 T 3110 PK
Satin Nickel (Box)	45 T 3110 BX
Chrome (View Pack)	45 T C PK
Chrome (Box)	45 T C BX

#### Limited Lifetime Warranty

Alsons Corporation warrants to the owner of this product that the product is free from defects in material or workmanship. We will repair or replace, at our discretion, at no charge. This warranty gives you specific legal rights. You may also have other rights that vary where you reside. If this product malfunctions or becomes damaged, stop use and return it to Alsons for examination and/or repair.

Alsons reserves the right (1) to make changes in specifications and materials, and (2) to change or discontinue models, both without notice or obligation. Dimensions are for reference only.

For assistance or problems with installation in the USA, call toll-free 1-800-421-0001, 8:00 a.m.-6:00 p.m. Eastern Standard Time, Monday-Friday. Outside the USA, write to: Alsons Corporation, 3010 West Mechanic Street, Hillsdale, MI 49242

Rev. 01 01/09