



A MASCO Company  
 Phone: (800) 421-0001  
 Fax: (517) 439-9644  
 Internet: [www.alsons.com](http://www.alsons.com)

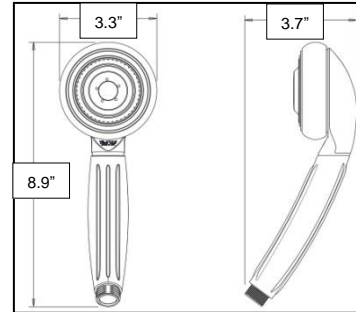
## 5-Spray European Style Hand Shower Wall Mount System

410 MA Series



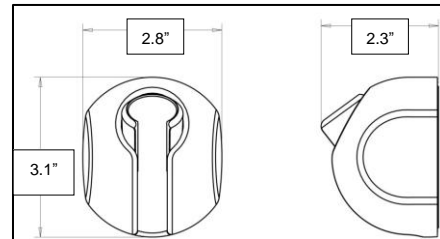
### European Style 5-Spray Hand Shower 425 Series

- Five spray selections
- 1/2" - 14 NPSM connection point
- Overall length: 8.9 in. (225 mm)
- Overall width: 3.3 in. (83 mm)
- Overall depth: 3.7 in. (95 mm)



### Hand Shower Wall Mount 3001 Series

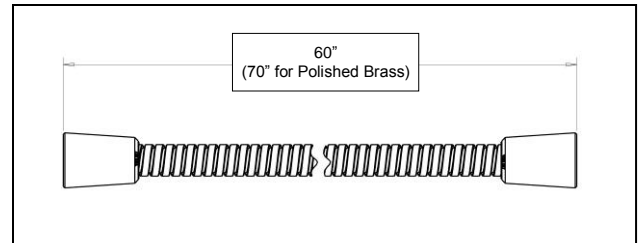
- Overall height: 3.1 in. (80 mm)
- Overall width: 2.8 in. (70 mm)
- Overall depth: 2.3 in. (59 mm)
- Concealed screw or adhesive mounting system
- Manufactured using engineering grade plastics



### UltraFlex<sup>®</sup> Hose

490 Series (494 Series for 410 MAPK)

- Vinyl hose with matching ribbon; two conical nuts
- 1/2"-14 NPSM connection points
- Overall length: 60 in. (1752 mm) – 70 in. (1778 mm) for Polished Brass



Finishes Available	Model Number
Brilliance <sup>®</sup> Polished Brass	410 MA 2010 PK
Chrome	410 MAC PK
White	410 MA PK

#### Limited Lifetime Warranty

Alsons Corporation warrants to the owner of this product that the product is free from defects in material or workmanship. We will repair or replace, at our discretion, at no charge. This warranty gives you specific legal rights. You may also have other rights that vary where you reside. If this product malfunctions or becomes damaged, stop use and return it to Alsons for examination and/or repair.

Alsons reserves the right (1) to make changes in specifications and materials, and (2) to change or discontinue models, both without notice or obligation. Dimensions are for reference only.

For assistance or problems with installation in the USA, call toll-free 1-800-421-0001, 8:00 a.m.-6:00 p.m. Eastern Standard Time, Monday-Friday. Outside the USA, write to: Alsons Corporation, 3010 West Mechanic Street, Hillsdale, MI 49242

Rev. 01 01/10