



A MASCO Company
 Phone: (800) 421-0001
 Fax: (517) 439-9644
 Internet: www.alsons.com

5-Spray European Style Hand Shower Wall Bar System

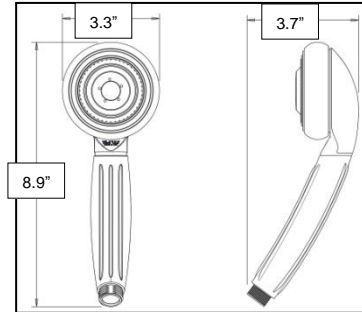
1504 MA Series



European Style 5-Spray Hand Shower

425 Series

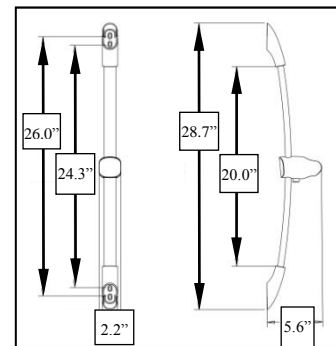
- Five spray selections
- 1/2" - 14 NPSM connection point
- Overall length: 8.9 in. (225 mm)
- Overall width: 3.3 in. (83 mm)
- Overall depth: 3.7 in. (95 mm)



Contemporary Wall Bar

15041 Series

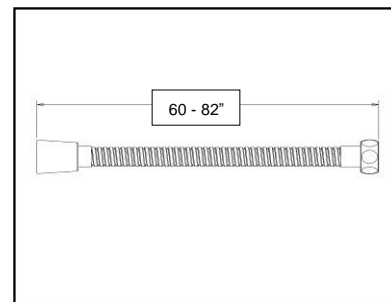
- Concealed screw mounting system
- Adjustable height hand shower mount
- Overall length: 28.7" (730 mm)
- Slide area: 20.0" (509 mm)
- Bar is not to be used as a grab bar
- Bar is not ADA compliant



Stretchable Stainless Steel Hose

495DS Series

- Stainless steel material spiraled over a rubber inner liner
- 1/2"-14 NPSM connection points
- Overall length - 60" (1524 mm)
- Extended length - 82" (2083 mm)



Finishes Available	Model Number
Brilliance® Polished Brass	1504 MA 2010 BX
Oil-Rubbed Bronze	1504 MA 3710 BX
Brilliance® Satin Nickel	1504 MA 3110 BX
Chrome	1504 MA C BX

Limited Lifetime Warranty

Alsons Corporation warrants to the owner of this product that the product is free from defects in material or workmanship. We will repair or replace, at our discretion, at no charge. This warranty gives you specific legal rights. You may also have other rights that vary where you reside. If this product malfunctions or becomes damaged, stop use and return it to Alsons for examination and/or repair.

Alsons reserves the right (1) to make changes in specifications and materials, and (2) to change or discontinue models, both without notice or obligation. Dimensions are for reference only.

For assistance or problems with installation in the USA, call toll-free 1-800-421-0001, 8:00 a.m.-6:00 p.m. Eastern Standard Time, Monday-Friday. Outside the USA, write to: Alsons Corporation, 3010 West Mechanic Street, Hillsdale, MI 49242

Rev. 03 11/09