



A MASCO Company
 Phone: (800) 421-0001
 Fax: (517) 439-9644
 Internet: www.alsons.com

Full Spray Hand Shower with Wall Mount System

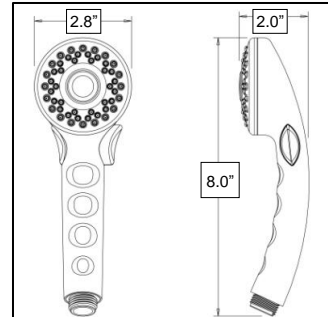
410PB Series



Full Spray Hand Shower

462PB Series

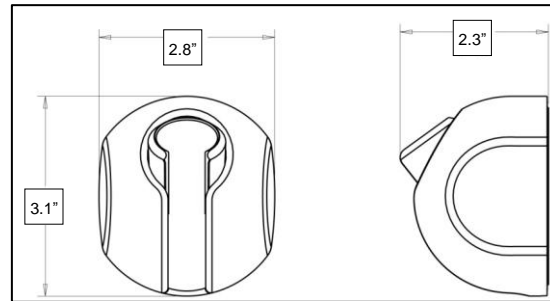
- 1/2" - 14 NPSM connection point
- Overall height: 8.0 in. (204 mm)
- Overall width: 2.8 in. (71 mm)
- Overall depth: 2.0 in. (51 mm)
- Rub clean nozzles to remove mineral deposits
- Push button reduces water flow to a trickle



Wall Mount

3001 Series

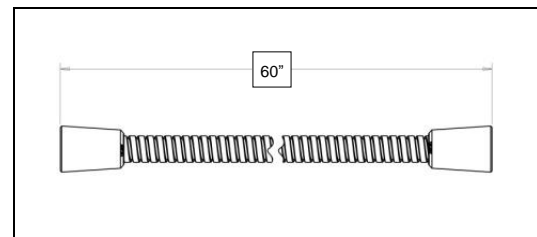
- Installs using adhesive tape (included) or concealed screws
- Overall height: 3.1 in. (80 mm)
- Overall width: 2.8 in. (70 mm)
- Overall depth: 2.3 in. (59 mm)
- Accommodates conical hose nuts
- Manufactured using engineering grade plastics



UltraFlex[®] Hose

490 Series or 494C Series

- Black hose with chrome ribbon (490 Series); two conical nuts
- White hose with chrome ribbon (494C Series); two conical nuts
- 1/2"-14 NPSM connection points
- Overall length - 60" (1752 mm)



WARNING: Plumbing Codes require that shower heads and hand showers provide a small but continuous flow of water (trickle) when in "PAUSE" mode. Because of this continuous flow, in certain circumstances pressure variations in the water line and/or changes in the position of shower temperature control handle while in "PAUSE" mode could result in dramatic changes to the temperature of the water when the shower head or hand shower is returned to the "ON" position.

ALWAYS point the shower head away from yourself when returning to the "ON" position and feel the water with your hand before resuming your shower to ensure the water flow is not too hot or too cold. DO NOT allow children or others who might not understand this warning to use the "PAUSE" function.

Finishes Available	Model Number
Chrome	410 PBC PK
White	410 PB PK

Limited Lifetime Warranty

Alsons Corporation warrants to the owner of this product that the product is free from defects in material or workmanship. We will repair or replace, at our discretion, at no charge. This warranty gives you specific legal rights. You may also have other rights that vary where you reside. If this product malfunctions or becomes damaged, stop use and return it to Alsons for examination and/or repair.

Alsons reserves the right (1) to make changes in specifications and materials, and (2) to change or discontinue models, both without notice or obligation. Dimensions are for reference only.

For assistance or problems with installation in the USA, call toll-free 1-800-421-0001, 8:00 a.m.-6:00 p.m. Eastern Standard Time, Monday-Friday. Outside the USA, write to: Alsons Corporation, 3010 West Mechanic Street, Hillsdale, MI 49242

Rev. 01 01/10