



A MASCO Company  
Phone: (800) 421-0001  
Fax: (517) 439-9644  
Internet: [www.alsons.com](http://www.alsons.com)

## Full Spray Hand Shower with Glide Rail Wall Mount System

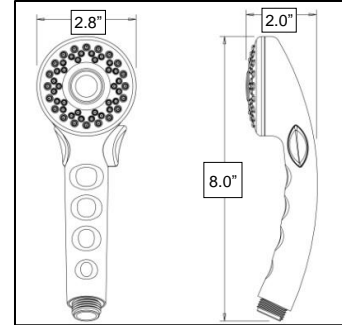
1551PB Series



### Push Button, Full Spray Hand Shower

462PB Series

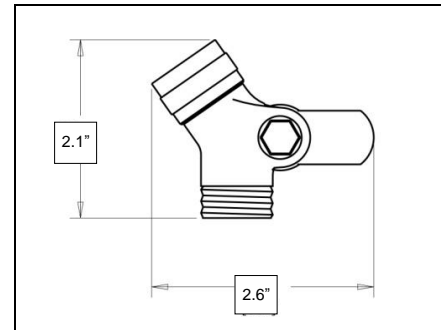
- 1/2" - 14 NPSM connection point
- Overall height: 8.0 in. (204 mm)
- Overall width: 2.8 in. (71 mm)
- Overall depth: 2.0 in. (51 mm)
- Rub clean nozzles to remove mineral deposits
- Push button reduces water flow to a trickle



### Pin Mount Swivel Connector

4002 Series

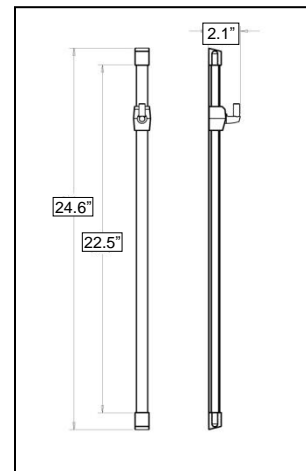
- 1/2"-14 NPSM connection points
- Overall height: 2.1 in. (53 mm)
- Overall width: 0.9 in. (23 mm)
- Overall depth: 2.6 in. (66 mm)
- Diameter at bottom of pin mount hole: 0.406 in. (10mm) – top tapered slightly smaller
- For use with pin mount (sold separately)
- Pin mount body is manufactured using engineering grade plastic; tailpiece is acrylic



### Shower Glide Rail

15511 Series

- Overall length: 24.6 in. (625 mm)
- Slide length: 22.5 in. (570 mm)
- Mounts with screws or high-strength adhesive tape (both included)
- Self-tensioning slide – no adjustment needed
- Pin mount system; accommodates swivel connector
- Manufactured using metal and engineering grade plastics



Alsons reserves the right (1) to make changes in specifications and materials, and (2) to change or discontinue models, both without notice or obligation. Dimensions are for reference only.

For assistance or problems with installation in the USA, call toll-free 1-800-421-0001, 8:00 a.m.-6:00 p.m. Eastern Standard Time, Monday-Friday. Outside the USA, write to: Alsons Corporation, 3010 West Mechanic Street, Hillsdale, MI 49242

Rev. 01 03/09



A MASCO Company  
 Phone: (800) 421-0001  
 Fax: (517) 439-9644  
 Internet: [www.alsons.com](http://www.alsons.com)

## Full Spray Hand Shower with Glide Rail Wall Mount System

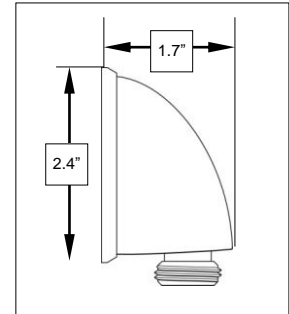
1551PB Series



### Supply Elbow

4980 Series (not included with 1551PBBX)

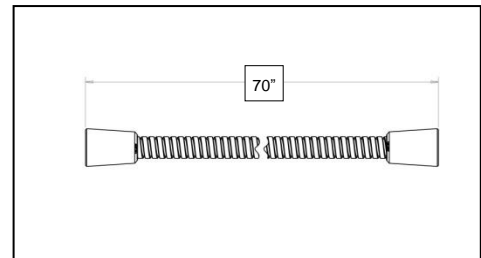
- Connects directly to water supply
- 1/2" - 14 NPT threaded inlet and outlet
- Depth: 1.7 in. (43 mm)
- Diameter of base: 2.4 in. (61 mm)
- Rubber base ensures tight seal against wall
- Engineered using metal and rubber components



### UltraFlex® Hose

494C Series

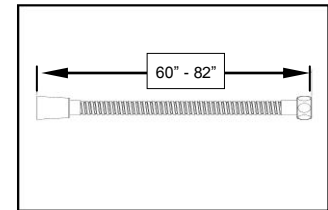
- White hose with chrome ribbon; two conical nuts
- 1/2"-14 NPSM connection points
- Overall length: 70" (1778 mm)



### Stretchable Stainless Steel Hose

495DS Series

- Stainless steel material spiraled over rubber inner liner
- 1/2" -14 NPSM brass plated connection points
- Overall length: 60 in. (1524 mm)
- Extended length: 82 in. (2083 mm)



Finishes Available	Model Number
White and Chrome (Includes stretchable hose and supply elbow)	1551 PB DS BX
White and Chrome (Includes UltraFlex hose and supply elbow)	1551 PB UF BX
White and Chrome	1551 PB BX

#### Limited Lifetime Warranty

Alsons Corporation warrants to the owner of this product that the product is free from defects in material or workmanship. We will repair or replace, at our discretion, at no charge. This warranty gives you specific legal rights. You may also have other rights that vary where you reside. If this product malfunctions or becomes damaged, stop use and return it to Alsons for examination and/or repair.

Alsons reserves the right (1) to make changes in specifications and materials, and (2) to change or discontinue models, both without notice or obligation. Dimensions are for reference only.

For assistance or problems with installation in the USA, call toll-free 1-800-421-0001, 8:00 a.m.-6:00 p.m. Eastern Standard Time, Monday-Friday. Outside the USA, write to: Alsons Corporation, 3010 West Mechanic Street, Hillsdale, MI 49242

Rev. 01 03/09