



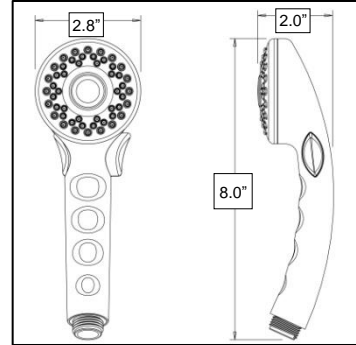
A MASCO Company  
 Phone: (800) 421-0001  
 Fax: (517) 439-9644  
 Internet: [www.alsons.com](http://www.alsons.com)

## Full Spray Hand Shower w/Contemporary Wall Bar Mount System

1521PB Series

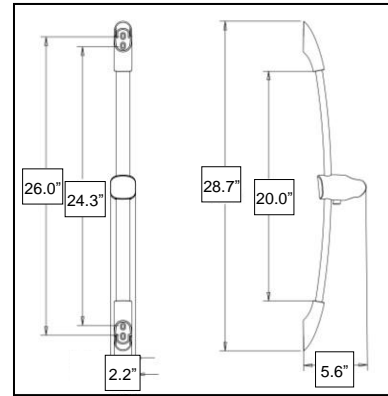
### Push Button, Full Spray Hand Shower 462PB Series

- 1/2" - 14 NPSM connection point
- Overall height: 8.0 in. (204 mm)
- Overall width: 2.8 in. (71 mm)
- Overall depth: 2.0 in. (51 mm)
- Rub clean nozzles to remove mineral deposits
- Push button reduces water flow to a trickle



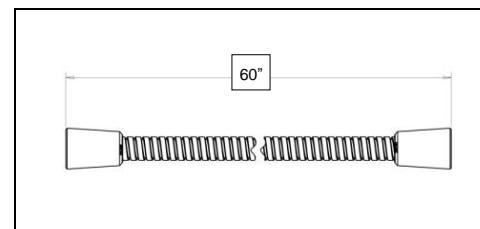
### Contemporary Wall Bar 15041 Series

- Overall length: 28.7" (730 mm)
- Slide area: 20.0" (509 mm)
- Concealed screw mounting system
- Adjustable height hand shower mount
- Bar is not to be used as a grab bar
- Bar is not ADA compliant



### Ultra-Flex<sup>®</sup> Hose 494C Series

- White hose with chrome ribbon; two conical nuts
- 1/2"-14 NPSM connection points
- Overall length - 60" (1752 mm)



Finishes Available	Model Number
White and Chrome	1521 PB BX

#### Limited Lifetime Warranty

Alsons Corporation warrants to the owner of this product that the product is free from defects in material or workmanship. We will repair or replace, at our discretion, at no charge. This warranty gives you specific legal rights. You may also have other rights that vary where you reside. If this product malfunctions or becomes damaged, stop use and return it to Alsons for examination and/or repair.

Alsons reserves the right (1) to make changes in specifications and materials, and (2) to change or discontinue models, both without notice or obligation. Dimensions are for reference only.

For assistance or problems with installation in the USA, call toll-free 1-800-421-0001, 8:00 a.m.-6:00 p.m. Eastern Standard Time, Monday-Friday. Outside the USA, write to: Alsons Corporation, 3010 West Mechanic Street, Hillsdale, MI 49242

Rev. 01 01/10