



Full Spray Hand Shower with Classic Wall Bar Mount System

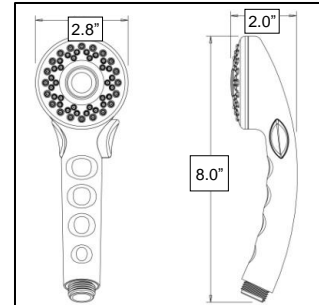
1501PB Series



Push Button Full Spray Hand Shower

462PB Series

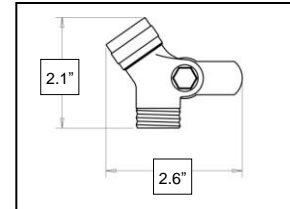
- 1/2" - 14 NPSM connection point
- Overall height: 8.0 in. (204 mm)
- Overall width: 2.8 in. (71 mm)
- Overall depth: 2.0 in. (51 mm)
- Rub clean nozzles to remove mineral deposits
- Push button reduces water flow to a trickle



Pin Mount Swivel Connector

4002 Series

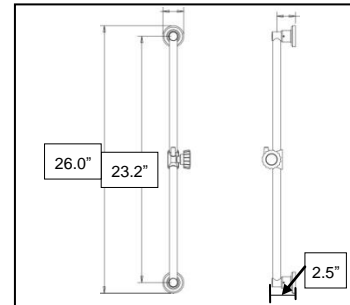
- 1/2"-14 NPSM connection points
- Diameter at bottom of pin mount hole: 0.406 in. (10mm) – top tapered slightly smaller
- Overall length: 2.6 in. (66 mm)
- Pin mount body is manufactured using engineering grade plastic; tailpiece is acrylic



Classic 24" Wall Bar

25011 Series

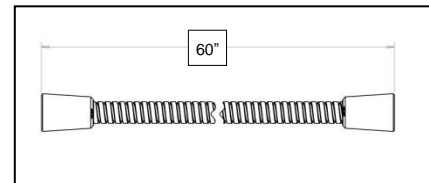
- Overall length: 26 in. (660 mm)
- Slide area: 22.0 in. (559 mm); mounting hole distance: 23.2 in. (587 mm)
- Concealed single screw mounting with tile offset
- Pin mount system; accommodates swivel connector
- Manufactured using metal and engineering grade plastics



UltraFlex[®] Hose

494C Series

- White hose with chrome ribbon; one conical and one hex all brass nuts
- 1/2"-14 NPSM connection points
- Overall length - 60" (1752 mm)



WARNING: Plumbing Codes require that shower heads and hand showers provide a small but continuous flow of water (trickle) when in "PAUSE" mode. Because of this continuous flow, in certain circumstances pressure variations in the water line and/or changes in the position of shower temperature control handle while in "PAUSE" mode could result in dramatic changes to the temperature of the water when the shower head or hand shower is returned to the "ON" position.

ALWAYS point the shower head away from yourself when returning to the "ON" position and feel the water with your hand before resuming your shower to ensure the water flow is not too hot or too cold. DO NOT allow children or others who might not understand this warning to use the "PAUSE" function.

Finishes Available	Model Number
White and Chrome	1501 PB BX

Limited Lifetime Warranty

Alsons Corporation warrants to the owner of this product that the product is free from defects in material or workmanship. We will repair or replace, at our discretion, at no charge. This warranty gives you specific legal rights. You may also have other rights that vary where you reside. If this product malfunctions or becomes damaged, stop use and return it to Alsons for examination and/or repair.

Alsons reserves the right (1) to make changes in specifications and materials, and (2) to change or discontinue models, both without notice or obligation. Dimensions are for reference only.

For assistance or problems with installation in the USA, call toll-free 1-800-421-0001, 8:00 a.m.-6:00 p.m. Eastern Standard Time, Monday-Friday. Outside the USA, write to: Alsons Corporation, 3010 West Mechanic Street, Hillsdale, MI 49242

Rev. 01 01/10