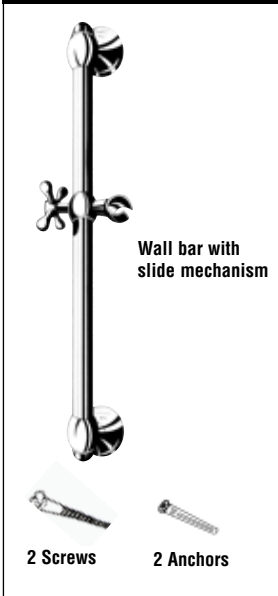




**Parts Included**



Wall bar with slide mechanism

2 Screws

2 Anchors

**Cleaning of Parts**

For surface cleaning of parts, use water and soap. Dry with a soft cloth.

*Note: Any other cleaning product not specifically designed for cleaning plastic or metal surfaces may damage the finish.*

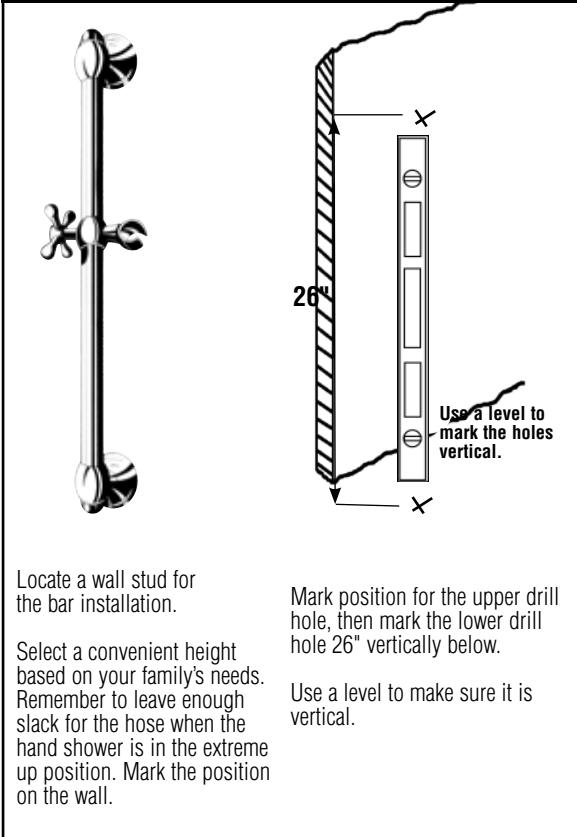
Periodically it is recommended to soak the shower head in a 50/50 mix of warm water and vinegar for 15 minutes to remove deposits.

**Limited Lifetime Warranty**

Alsons Corporation warrants to the owner of this product that it is free from defects in materials or workmanship as listed above from the date of purchase. For service in the U.S.A. either return it to the location where purchased or return the product postage prepaid (we recommend United Parcel Service) to Alsons Corporation, 3010 W. Mechanic Street, Hillsdale, Mich. 49242 for repair or replacement at our discretion at no charge. Outside the U.S.A., either return it to the location where purchased or the address above. This warranty gives you specific legal rights. You may also have other rights that vary where you reside.

For assistance or problems with installation: In the U.S.A. call Toll Free: 1-800-421-0001, 8:00 a.m. to 6:00 p.m. Eastern Standard Time Monday - Friday

**1. Position the wall bar on the wall.**



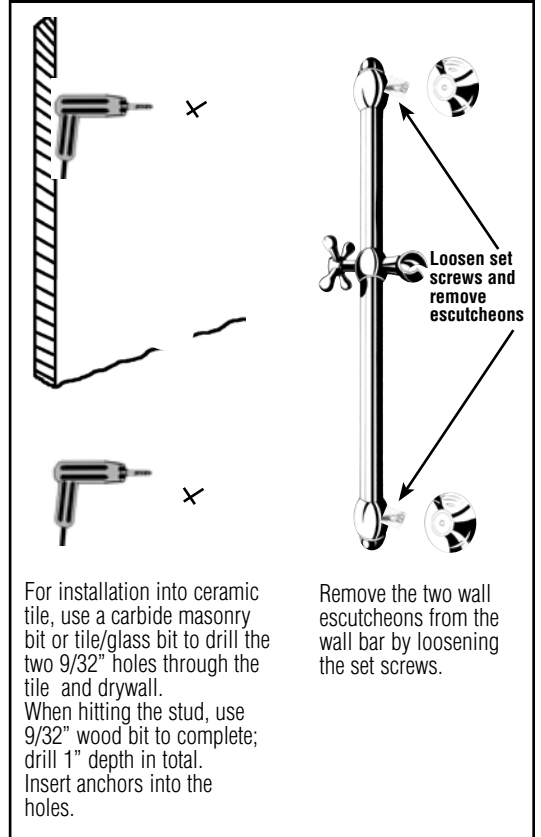
Locate a wall stud for the bar installation.

Select a convenient height based on your family's needs. Remember to leave enough slack for the hose when the hand shower is in the extreme up position. Mark the position on the wall.

Mark position for the upper drill hole, then mark the lower drill hole 26" vertically below.

Use a level to make sure it is vertical.

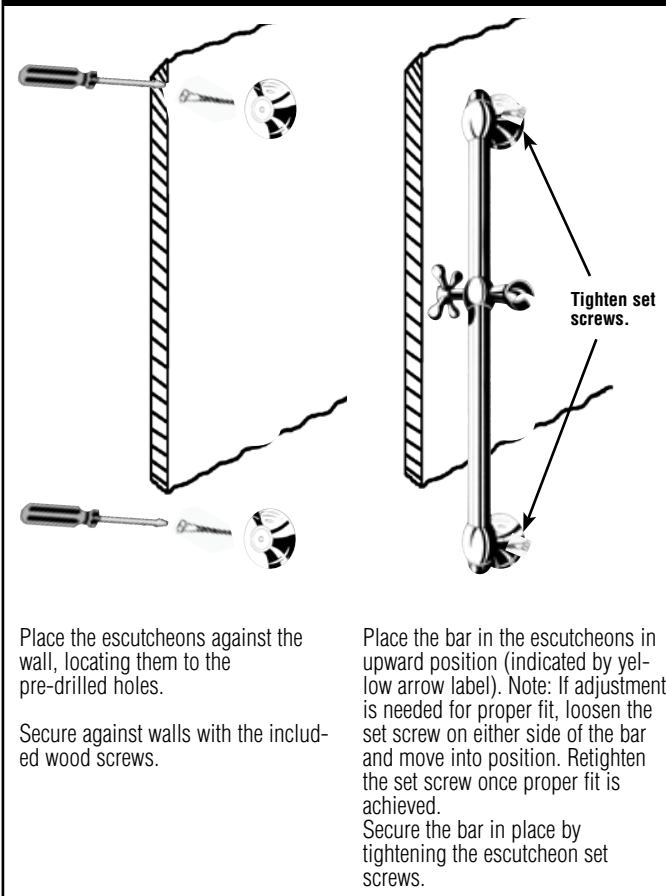
**2. Drill holes and prepare installation.**



For installation into ceramic tile, use a carbide masonry bit or tile/glass bit to drill the two 9/32" holes through the tile and drywall. When hitting the stud, use 9/32" wood bit to complete; drill 1" depth in total. Insert anchors into the holes.

Remove the two wall escutcheons from the wall bar by loosening the set screws.

**3. Final installation of wall bar.**

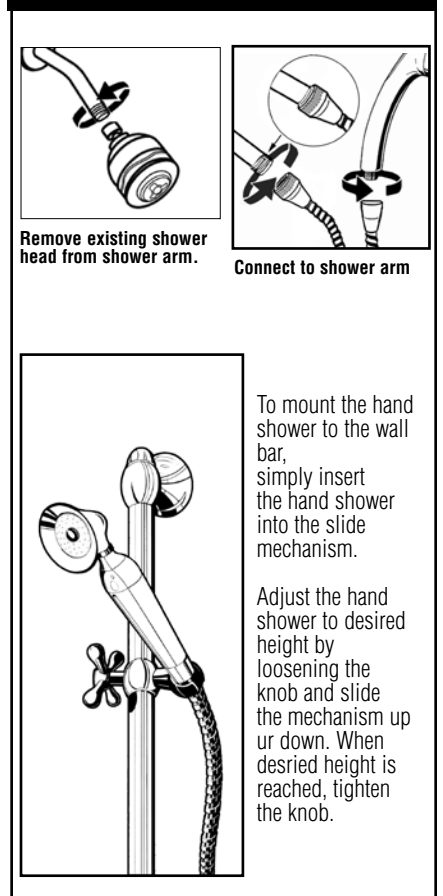


Place the escutcheons against the wall, locating them to the pre-drilled holes.

Secure against walls with the included wood screws.

Place the bar in the escutcheons in upward position (indicated by yellow arrow label). Note: If adjustment is needed for proper fit, loosen the set screw on either side of the bar and move into position. Retighten the set screw once proper fit is achieved. Secure the bar in place by tightening the escutcheon set screws.

**4. Install hand shower.**



Remove existing shower head from shower arm.

Connect to shower arm

Tighten set screws.

To mount the hand shower to the wall bar, simply insert the hand shower into the slide mechanism.

Adjust the hand shower to desired height by loosening the knob and slide the mechanism up or down. When desired height is reached, tighten the knob.